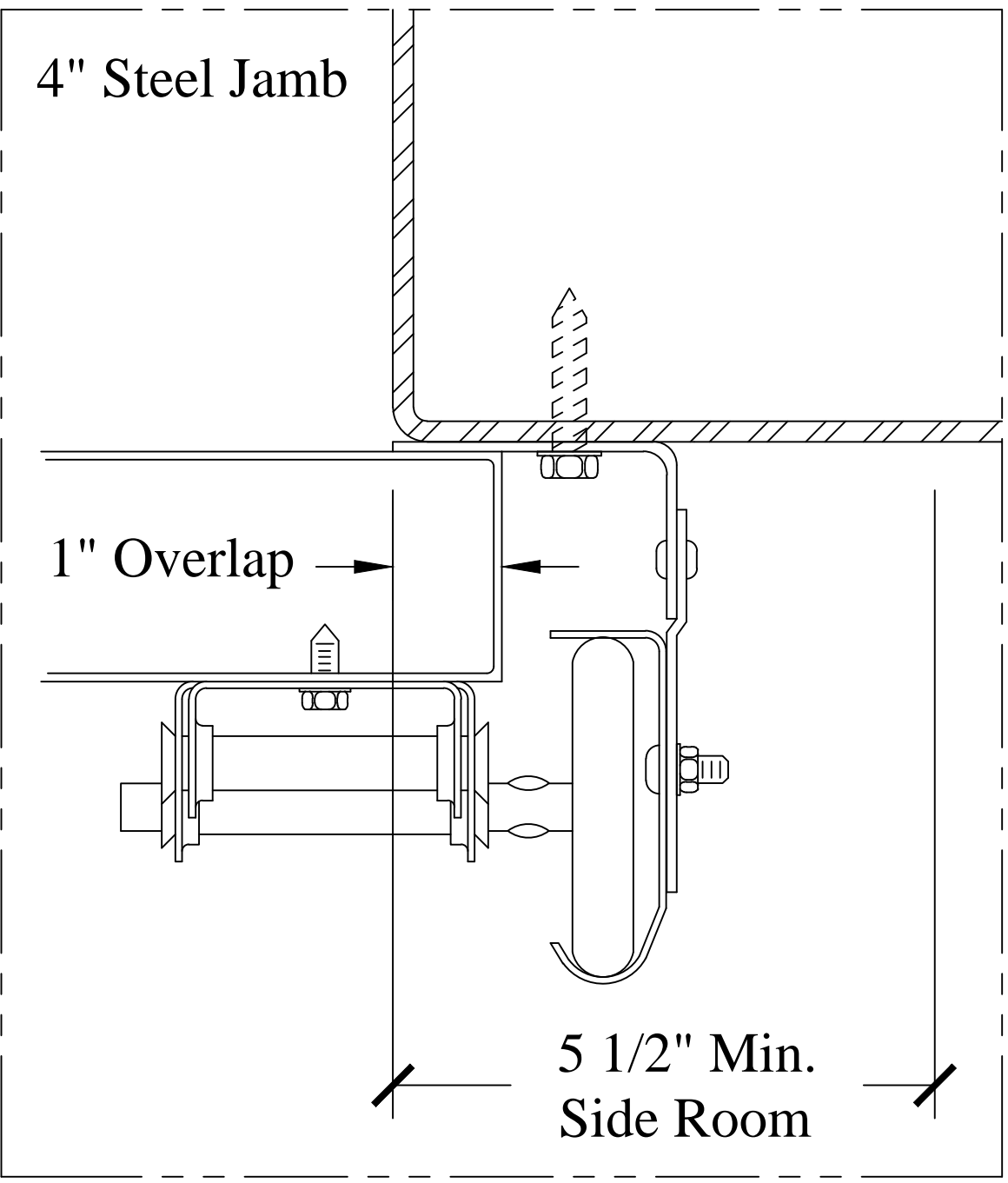
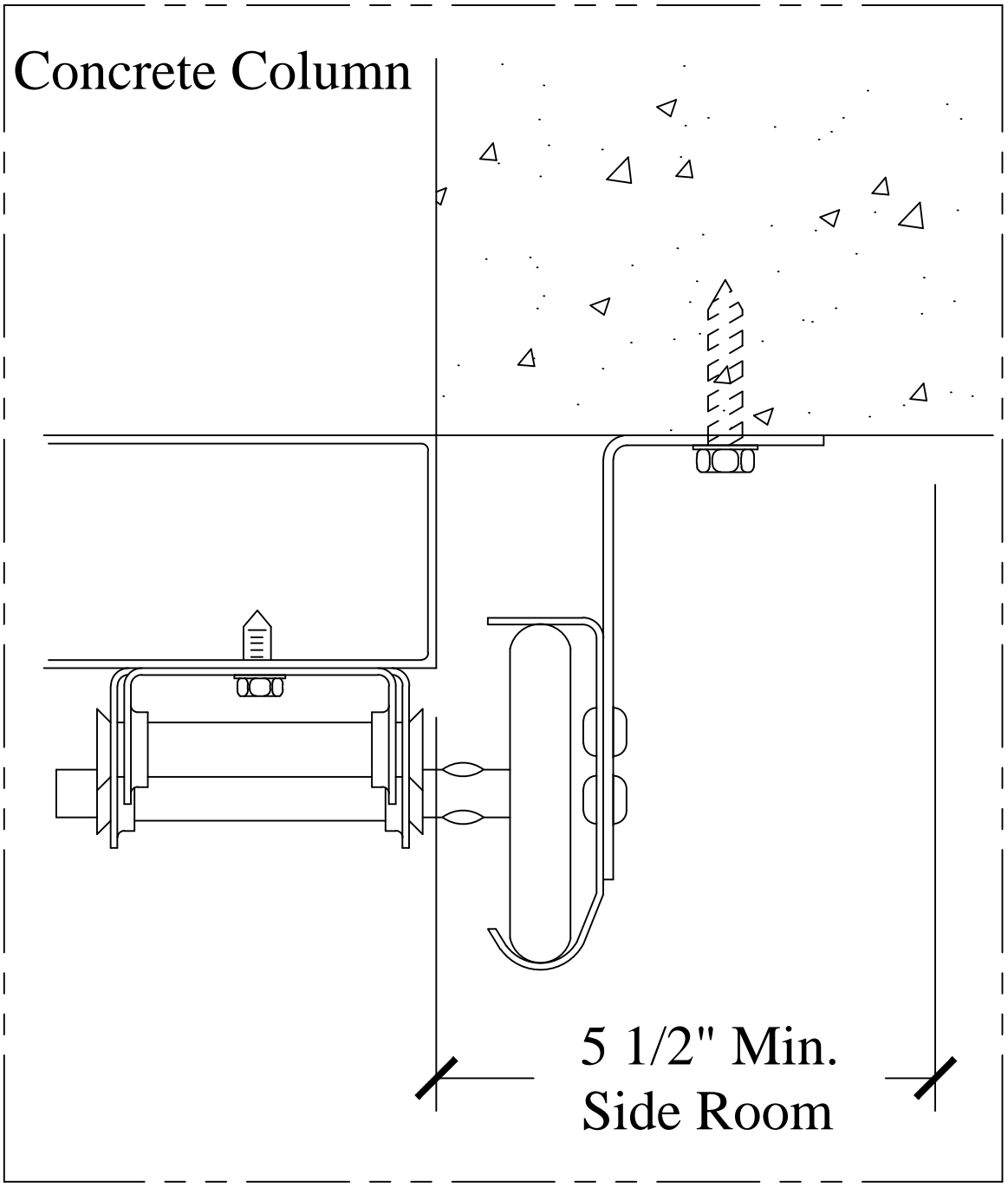
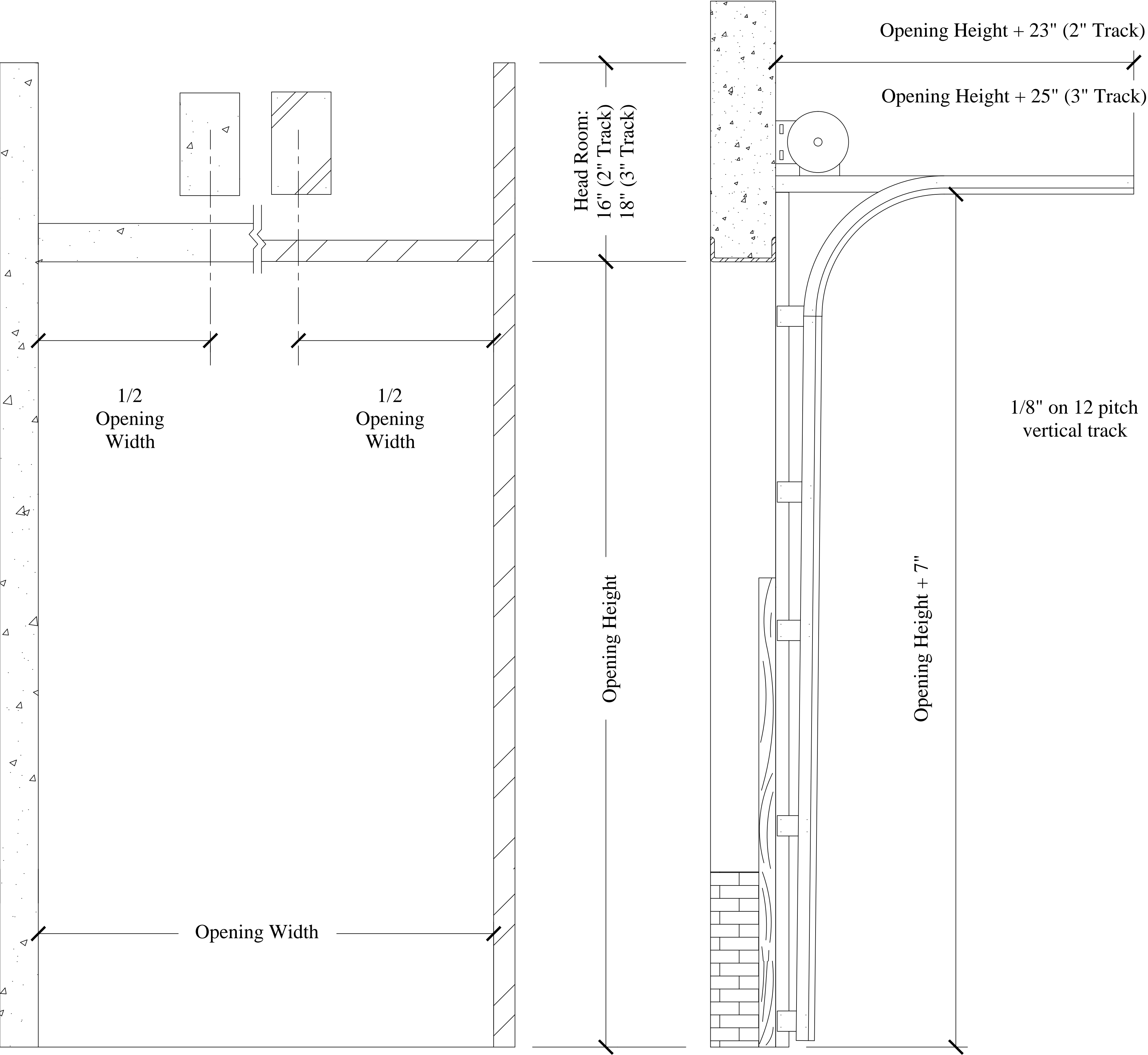


# FDC STRONGWELD SECTIONAL GATE TRACK DETAIL



<i>FDC</i>		Florida Door Control Melbourne, Fl. 32934	
STRONGWELD SECTIONAL GATE TRACK DETAIL			
DWG. NO. 31719		JOB NO.	
DATE 09-30-03		SCALE N/A	DRAWN BY:
REVISION		SHEET 1 OF 1	